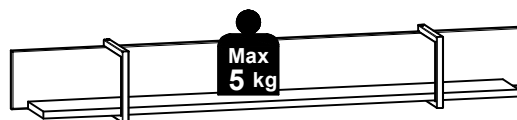
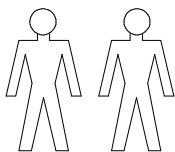
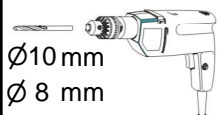
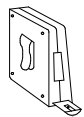
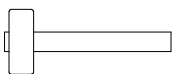
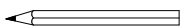
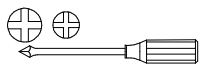
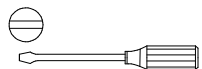


**A****S507-P/2/16****10H9--41**

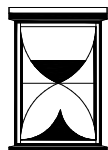
2 / 5



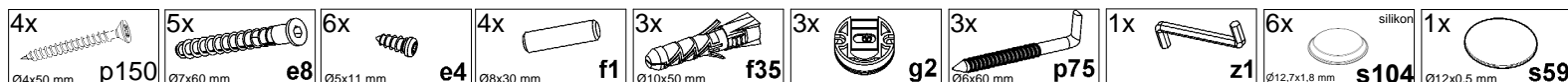
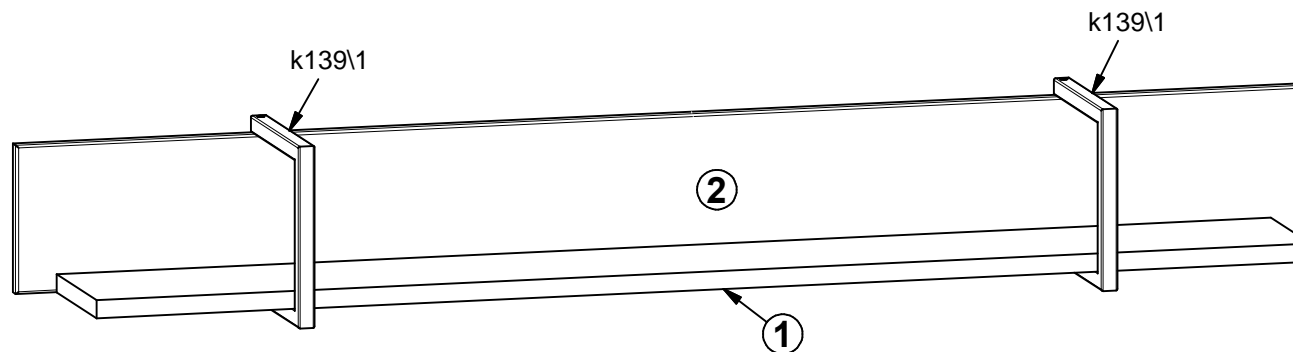
A	B	C1	C2	C3	D
1	S507-3016	1500	183	22	1/1
2	S507-4506	1600	180	16	1/1
3	k139\1				1/1



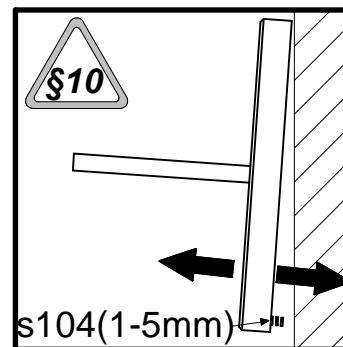
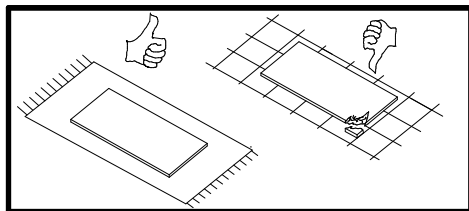
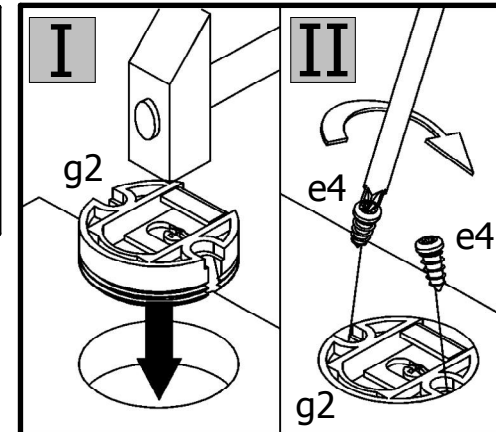
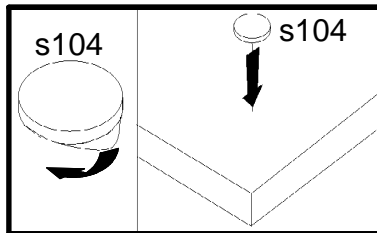
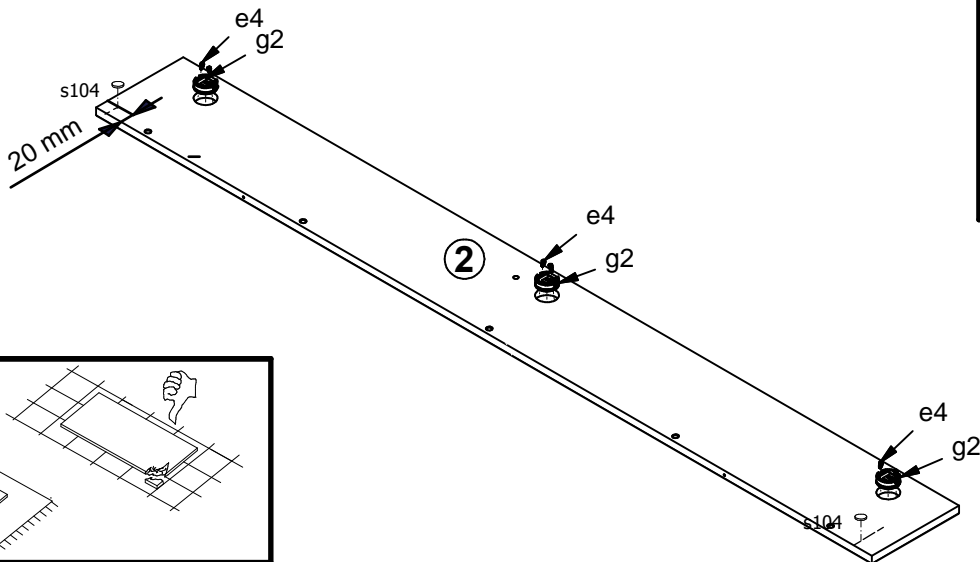
∅10 mm  
∅ 8 mm



**30min**

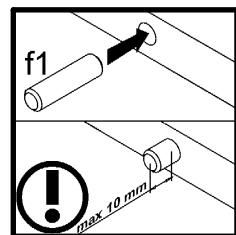
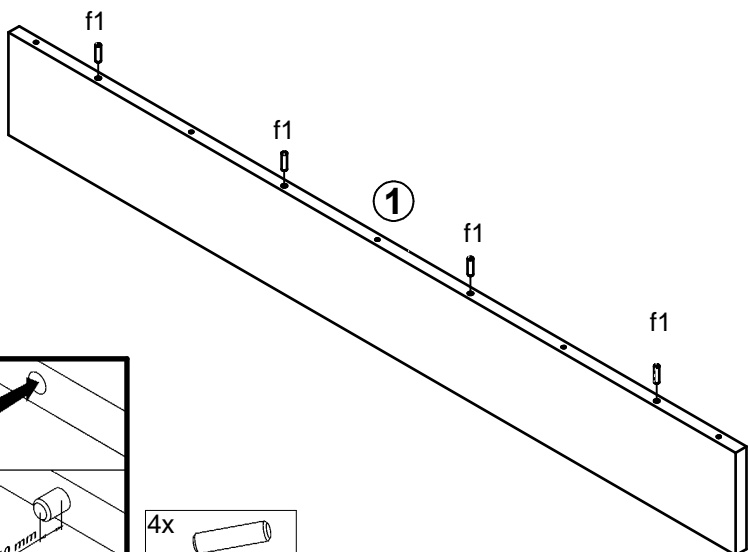


1 §2



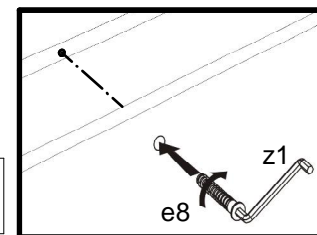
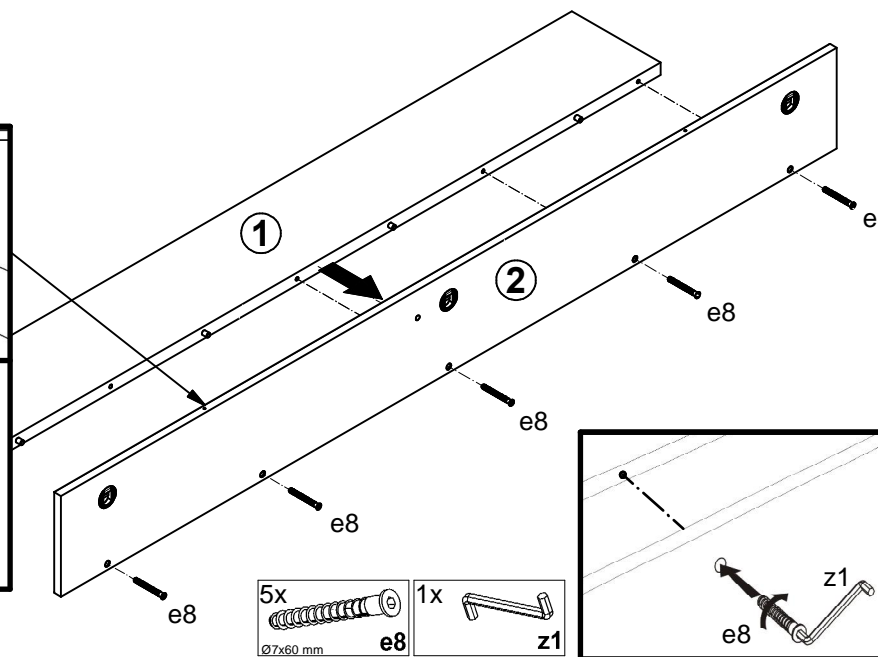
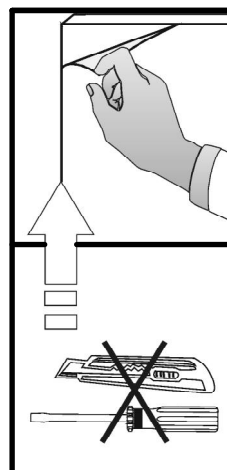
- 3x g2
  - 6x e4
  - 6x silikon s104
- Ø5x11 mm
- Ø12,7x1,8 mm

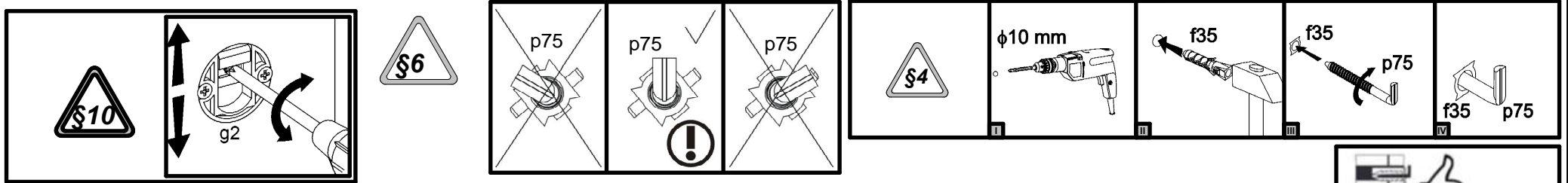
1



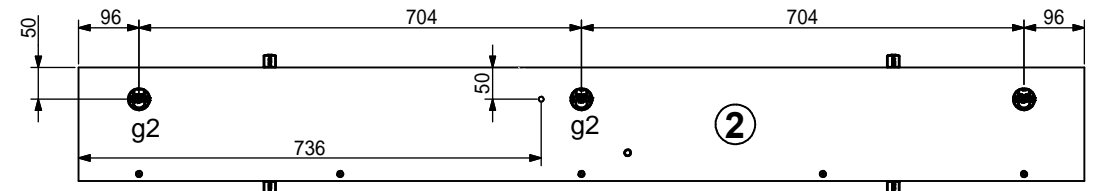
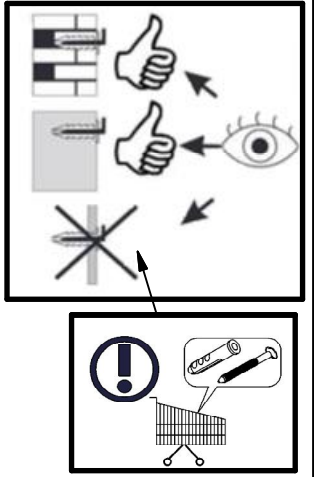
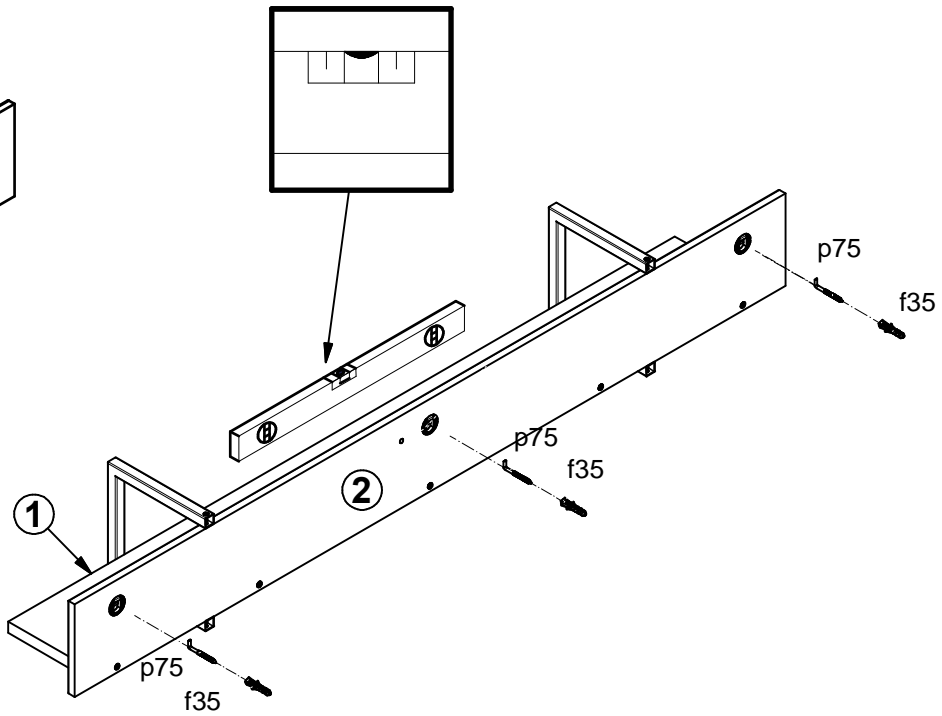
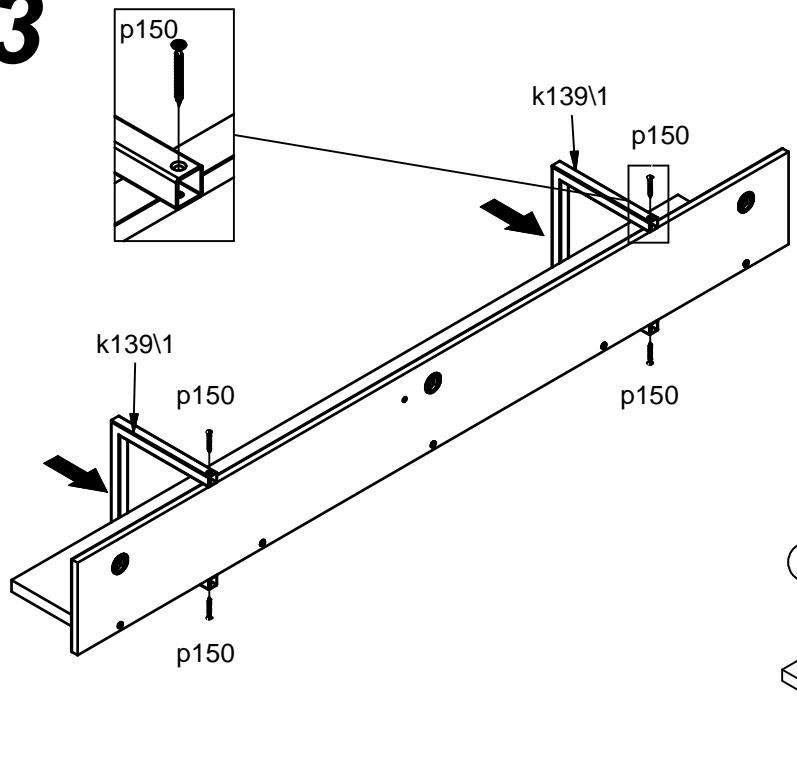
- 4x f1
- Ø8x30 mm

2 §6





3



4

